

4.9 - 6.4 GHz 30 dBi Dish Antenna

Model: K-ANT-5G-30C

Features

- 4.9-6.4 GHz wide frequency range
- 4.9 GHz Public Safety Band
- MIMO and 802.11n Applications
- Wimax Applications
- Long Distance Backhaul and Point to Point Data Links



Package Included



Accessories	Quantity
① Dish	1
② Feeder	1
③ Mounting Bracket	1

Specifications

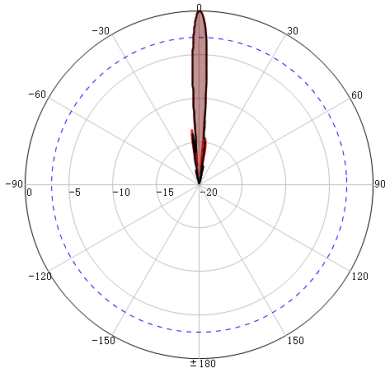
ELECTRICAL SPECIFICATIONS

Frequency Range	4900-6400 MHz
Gain (dBi)	30 dBi
HPBW _H (Deg.)	6
HPBW _V (Deg.)	6
Polarization	Horizontal + Vertical
F/B Ratio	≥38 dB
VSWR	≤1.8

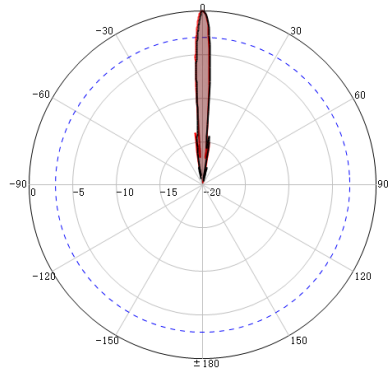
MECHANICAL SPECIFICATIONS

Connection Type	2*N-female
Dimensions	Φ600mm
Weight (Kg)	≈4.5
Lightning Protection	Dc Ground
Temperature Range (°C)	-40 ~ +65
Rated Wind Speed (km/h)	180
Mounting Type	Pole Mount

Radiation Patterns

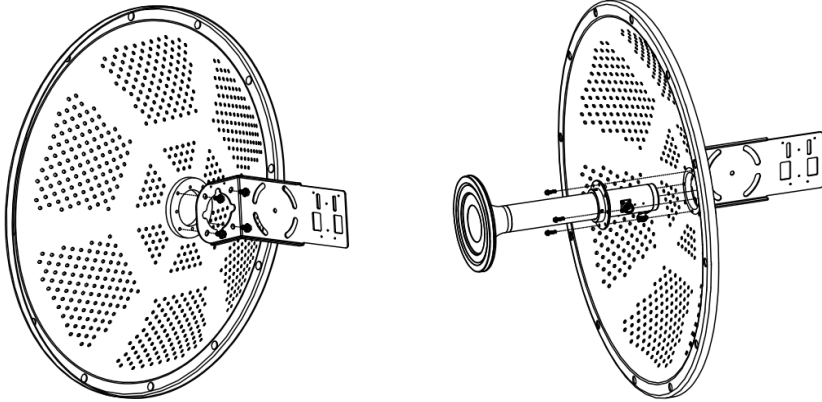


Horizontal

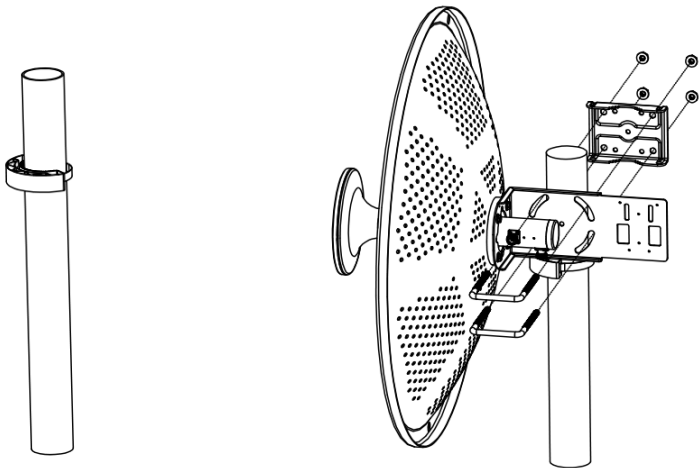


Vertical

Installation Guide

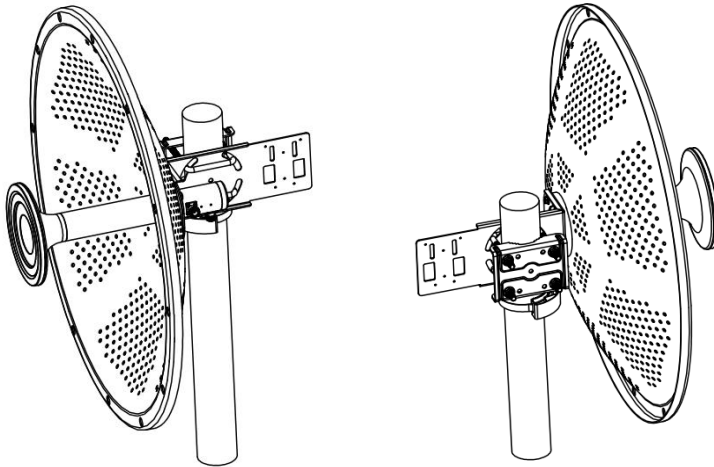


①



②

Installation Guide



③

The installation is complete

Note: This product does not include mounting pole

① First Step

Fix the mounting bracket to the antenna with screws, and then fix the feeder with screws. Make sure the installation direction of the feeder is correct.

② Second Step

Install the clamp on the mounting pole to facilitate the subsequent installation steps, and then install and fix the remaining mounting kit.

③ Third Step

Adjust the antenna Angle properly and the installation is complete.