

4900-6500MHz 30dBi Dish Antenna

Model: K-ANT-5G-30X

Features

- Long Distance Backhaul and Point to Point applications
- Stable and with a long service life



Package Included



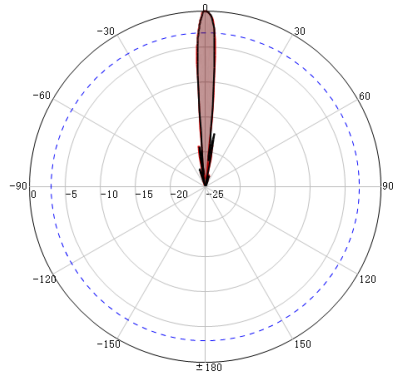
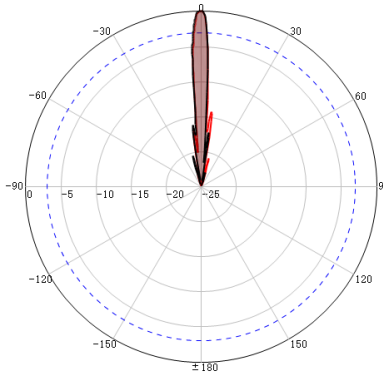
Accessories	Quantity
① Dish	1
② Feeder	1
③ Mounting Bracket	1

Specifications

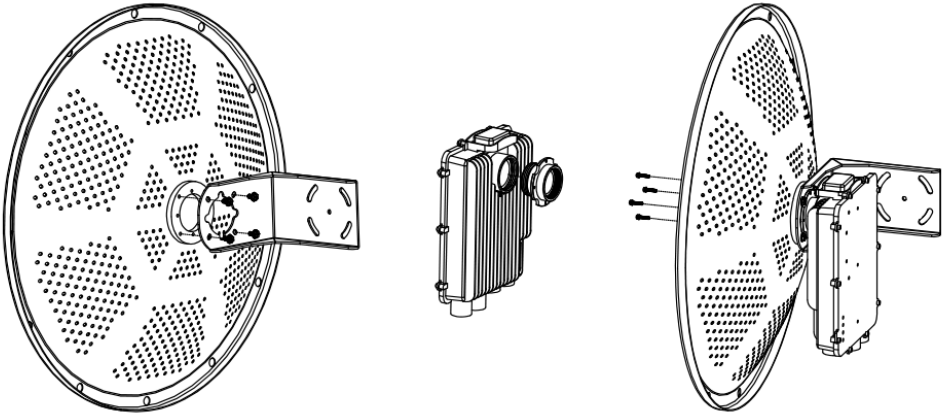
Frequency Range	4900-6500 MHz
Gain (dBi)	30 dBi
HPBW _H (Deg.)	5
HPBW _V (Deg.)	5
Temperature Range (°C)	-40 ~ +65

Dimensions	Φ600mm
Weight (Kg)	≈4.5
Lightning Protection	Dc Ground
Rated Wind Speed (km/h)	210
Mounting Type	Pole Mount

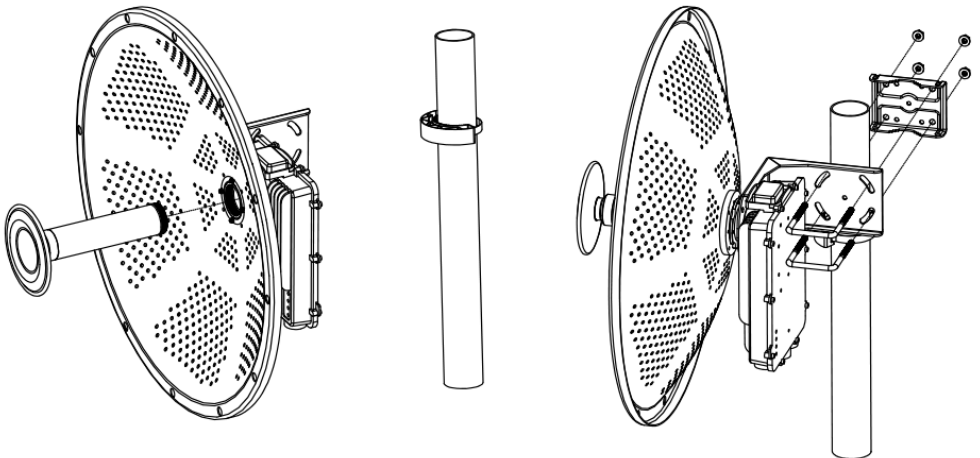
Radiation Patterns



Installation Guide

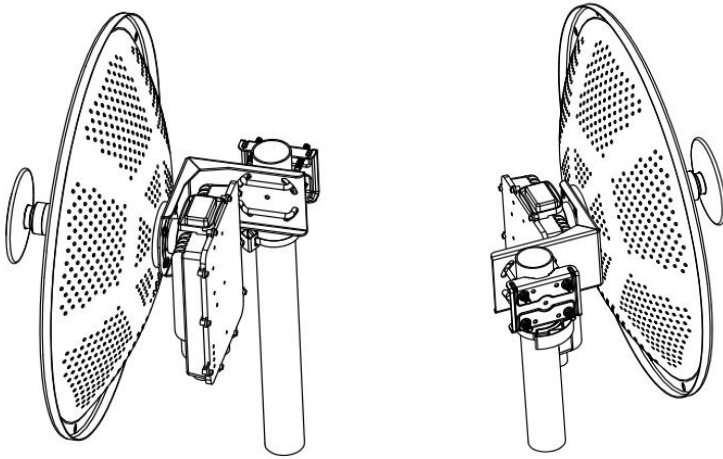


①



②

Installation Guide



③

The installation is complete

Note: This product does not include radio or mounting pole

① First Step

First, install the L-Shaped bracket on the dish, and then screw the aluminum ring onto the radio. Next, fix the radio to the dish with screws.

② Second Step

Tighten the feeder onto the dish for easy installation in the next step. Install the clamp on the mounting pole to facilitate the subsequent installation steps, and then install and fix the remaining mounting kit.

③ Third Step

Adjust the antenna Angle properly and the installation is complete.