

## 4.8 - 6.5 GHz 33 dBi Dish Antenna

### Features

- Easy to install
- High quality, long service life



### Package Included



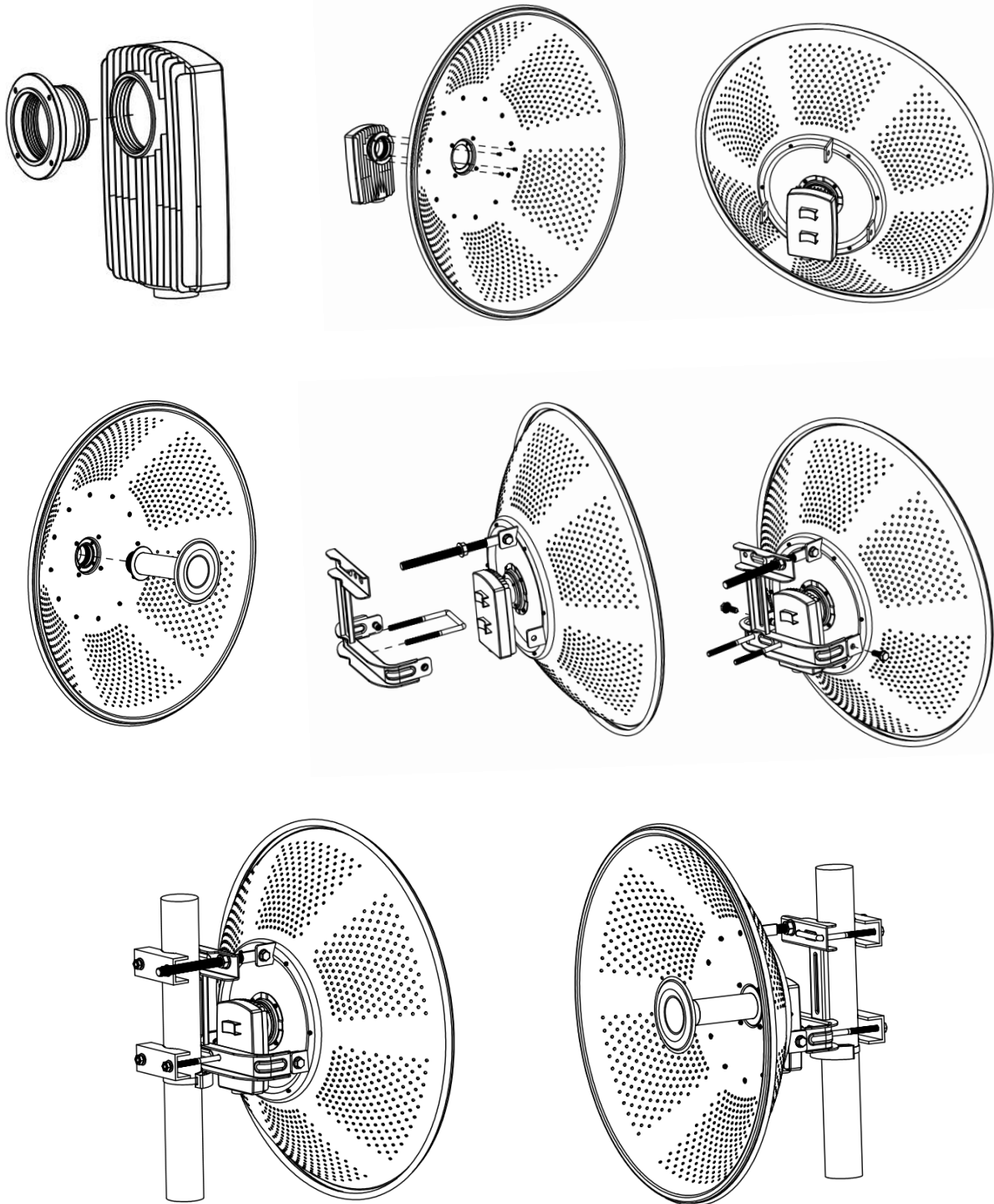
Accessories	Quantity
① Dish	1 PC
② Mounting Bracket	1 Set
③ Feeder	1 PC
④ Jumper Cable	2 Pcs

### Specifications

Model	K-ANT5G-33X
Gain	33 dBi
HPBW <sub>H</sub> (Deg.)	3.4
HPBW <sub>V</sub> (Deg.)	3.4
Polarization	±45°
F/B Ratio	≥45 dB
Dimensions	720*720*195 mm
Temperature Range(°C)	-40~+65
Rated Wind Speed	210 km/h

## Installation Guide

Note: This product does not include AP radio



### ① First Step

Screw aluminum ring fitting onto AP radio. Attach the AP radio to the dish with screws. Ensure that the AP radio is perpendicular to the mounting bracket.

### ② Second Step

The U bolt is mounted under the mounting bracket and the long screw is fixed to the dish. The mounting bracket is then fixed to the dish and long screw with screws and nuts.

### ③ Third Step

Attach the whole antenna to the holding pole with the clamping clamp and U bolt. Installation complete.